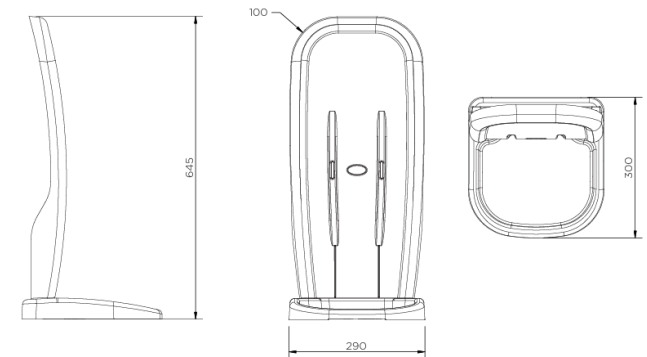
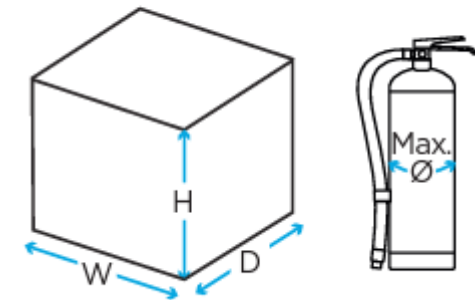


Jonesco Single Two-Part Stand



- JFP9 Jonesco single two-part stand
- Holds one fire extinguisher from 3kg/ltr to 9kg/ltr and will accommodate 2kg/5kg CO2 fire extinguishers
- Space-saving fire extinguisher stand
- Supplied flat-packed for economical shipping and storage
- One-click assembly
- Adjustable strap for CO2 extinguishers available: KIT108 sold separately
- Robust, rotationally moulded UV stabilized PE
- Can be used in food preparation and clean room areas
- Will not crack or chip
- Corrosion proof design
- High impact resistant
- Can be wiped clean
- Chemical resistant plastic
- Space for fire extinguisher ID sign
- Manufactured in the UK



KIT108: Adjustable strap

JFP9	
H x W x D (mm)	645 x 290 x 300
Max diameter (mm)	195
Weight (kg)	1.80